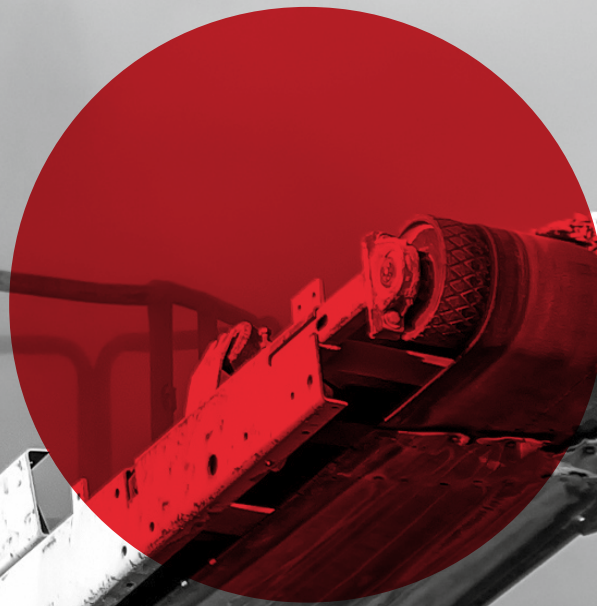




WE PROTECT IT.

**SWITCHES FOR SAFETY
AT THE CONVEYOR BELT**



SAFE. EXCELLENT. MADE IN GERMANY.

THE COMPANY

Under the Sitec brand, EFD GmbH develops, produces and markets robust switches "Made in Germany" for conveyor belt system safety and monitoring. The switches are suitable for usage indoors and outdoors and even withstand harsh ambient conditions reliably.

HEADQUARTERS

EFD Elektrotechnische Fabrik Düsseldorf GmbH
Eichsfelder Strasse 17
40595 Düsseldorf/Germany

Tel.: +49 211 889330 – 01
info@sitec-components.com
www.sitec-components.com



"IT IS OUR VISION TO BECOME YOUR PREFERRED PARTNER IN THE AREA OF CONVEYOR BELT MONITORING AND SAFETY."

By means of a very wide range of configuration options, we ensure that we can respond optimally to specific customer wishes and address the wide-ranging requirements of the bulk materials industry.

Our products meet, of course, the conformity requirements in national and international product standards and comply with the related applicable EU directives. Our focus is on technical excellence, short delivery times and a high degree of flexibility.



EFD Elektrotechnische
Fabrik Düsseldorf GmbH



Eichsfelder Strasse 17
40595 Düsseldorf/Germany



Tel. +49 211 889 330 01

info@sitec-components.com
www.sitec-components.com

THE PRODUCTS

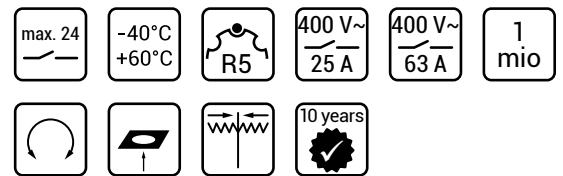
Pull wire emergency stop switches are used in industry to provide an emergency stop along conveyor lines as an additional safety measure on conveying systems. If an emergency arises at the conveying system, it must be possible to shut down the system from anywhere along the conveyor line. The pull wire emergency stop switch is actuated by pulling a pull wire provided for this purpose. The pull wire emergency stop switch - pull wire "system" is designed such that a wire break also results in an emergency shutdown.

Position switches for belt misalignment are used along the edge of the belt on each side to monitor for belt drift on belt conveying systems. If the conveyor belt drifts, the edge of the belt touches the roller lever on the position switch for belt misalignment. Depending on the deflection, a pre-warning is signaled or a shutdown is triggered.



SERVICE SWITCHES

Product information

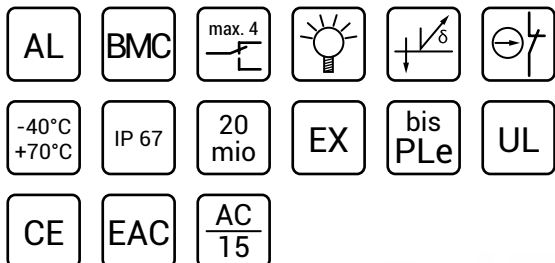


Cam switches in various designs categorized by switching capacity

Reliable switches capable of withstanding high loads and that ensure maximum safety by means of a solid spherical knob, strong blowout magnets and large contact opening paths. Optionally available with robust metal closing devices such that it is possible to attach a padlock.

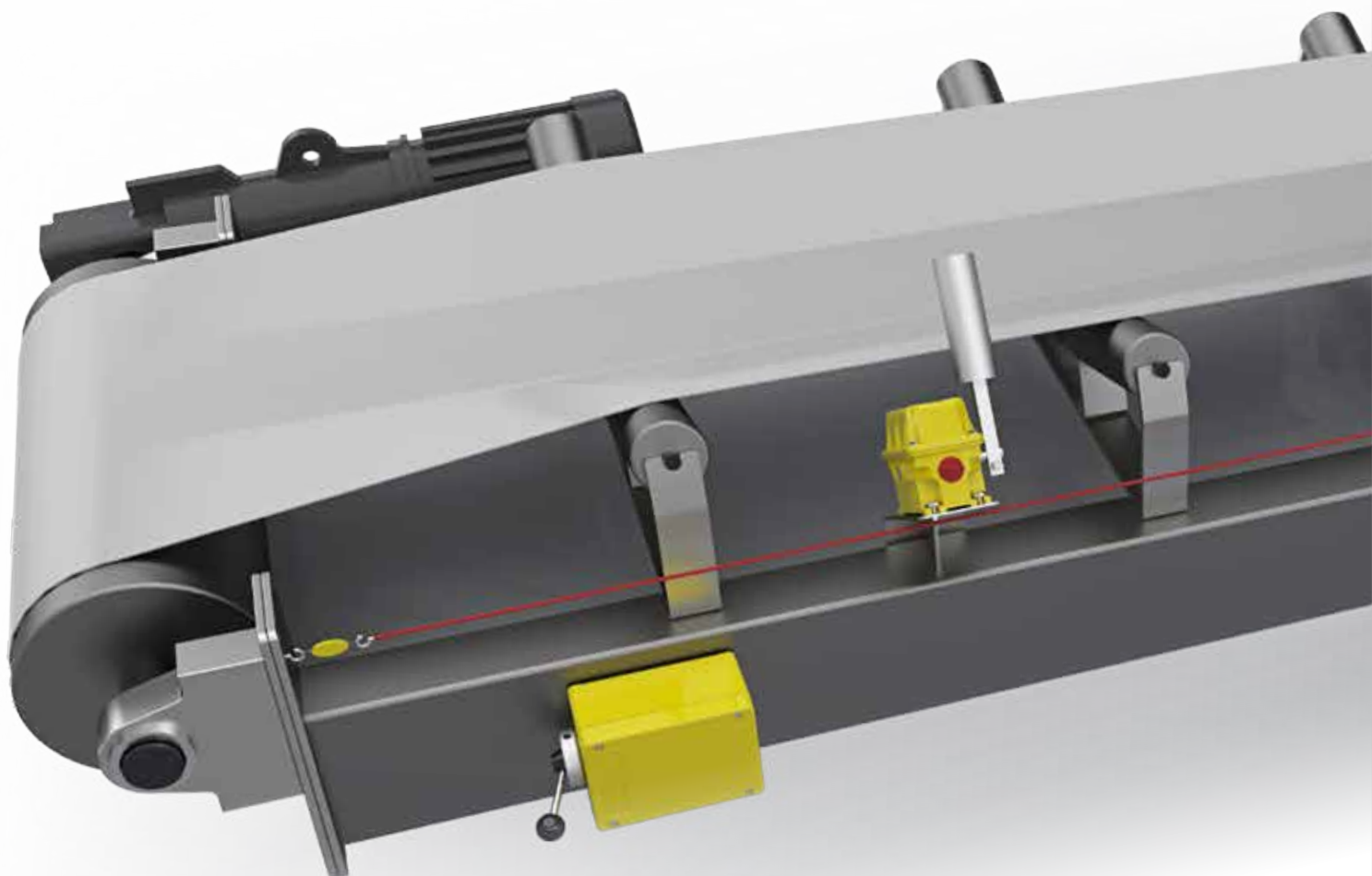
POSITION LIMIT SWITCHES (PEA, PED)

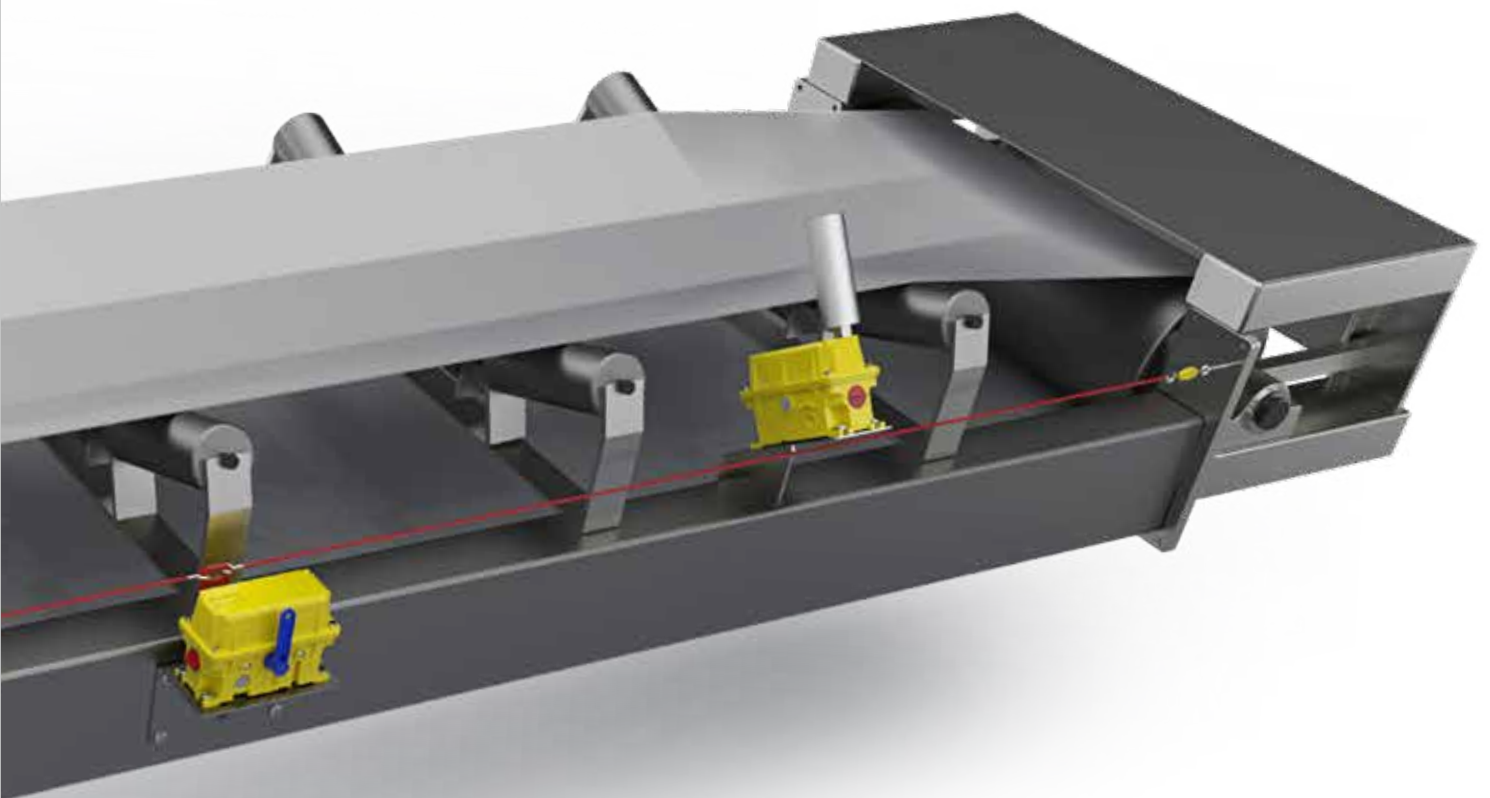
Product information



Position limit switches for the electromechanical detection of end positions for workpieces or parts of machines

Longer lever service life is achieved and actuating forces are lower due to the roller. The switches comply with the standards and directives and meet DIN EN 60947-5-1.





PULL WIRE EMERGENCY STOP SWITCHES (SNA, SND, SNSA)

Product information

	AL	BMC	max. 3		
	-40°C +70°C	IP 67	2x 50m max.	bis PLe	UL
1 mio		EX	CE	EAC	AC 15
DC 13	max. 3				

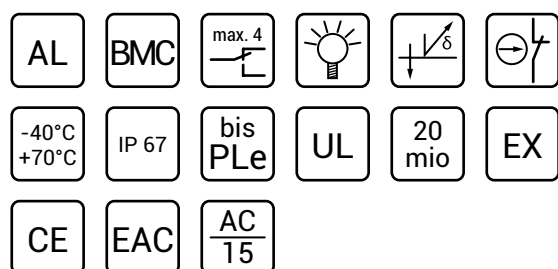
Pull wire switches for providing emergency stop on conveyor belt systems

Robust design for harsh operating conditions. Optionally available with comprehensive mounting accessories for the pull wire installation and cable entry. All pull wire emergency stop switches comply with the standards and directives and meet DIN EN ISO 13850 and DIN EN 60947-5-1 as well as DIN EN 60947-5-5.



POSITION MISALIGNMENT SWITCHES (PSA, PSD)

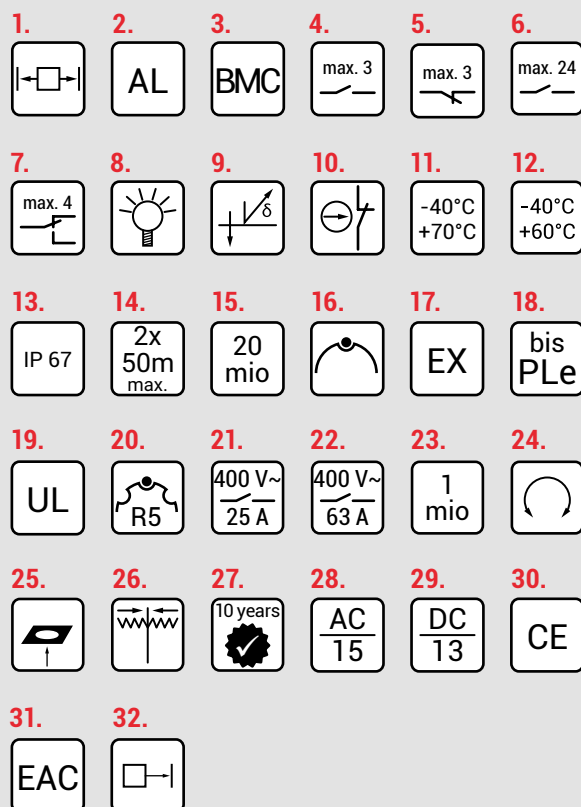
Product information



Position switches in robust design for monitoring the misalignment of conveyor belts

Depending on the deflection, a pre-warning is signaled or a shutdown triggered. All position switches for misalignment comply with the standards and directives and meet DIN EN 60947-5-1.

KEY FOR ICONS



1. Double-sided pull wire
2. Housing material aluminum
3. Housing material duroplast
4. Max. number of normally open switching contacts
5. Max. number of normally closed switching contacts
6. Max. number of contacts per movement direction
7. Max. number of changeover switching contacts
8. LED indicator (optional)
9. Pressure equalization element (optional)
10. Positive opening contacts
11. Operating temperature range -40 to +70 °C
12. Operating temperature range -40 to +60 °C
13. Housing degree of protection IP 67
14. Max. pull wire length 2 x 50 m
15. Switching cycles
16. Latching function
17. Explosion-proof (variants in preparation)
18. Performance Level e
19. UL certification (variants in preparation)
20. Number of detents
- 21./22. Max. voltage/current
23. Switching cycles
24. Rotary drive
25. Installation from below
26. Retraction
27. Warranty
28. Utilization category AC
29. Utilization category DC
30. CE
31. EAC (variants in preparation)
32. Single sided pull rope

SALES GERMANY

AXEL JÜRGENLIMKE

Sales engineer/North

mobile: +49 171 4245123

axel.juergenlimke@sitec-components.com

ABED NOWATI

Sales engineer/West

mobile: +49 171 5715871

abed.nowati@sitec-components.com

TINO BEYREUTHER

Sales engineer/East

mobile: +49 171 4239368

tino.beyreuther@sitec-components.com

INTERNATIONAL SALES

INDIA/BANGLADESH/SRI LANKA

**SPOHN + BURKHARDT INDIA
ELECTROTECHNICAL PVT. LTD.**

Tel.: +91 98451 46948

info@spobu-india.in

www.spobu-india.in

BELGIUM/LUXEMBURG

PROMATI SA/NV

Tel.: +32 10 84 83 90

info@promati.com

www.promati.com

NETHERLANDS

PROMATI NEDERLAND

Tel.: +31 162 47 14 99

info@promati.nl

www.promati.com

POLAND

RADIOSTER SP. Z.O.O.

Tel.: +48 (32) 6091018

krzysiekm@radioster.pl

www.radioster.pl

ESTONIA/LATVIA/LITHUANIA

VSF BALTIC, SIA

Tel.: +371 23170000

info@vsf-baltic.com

www.vsf-baltic.com

SPAIN/PORTUGAL

KINEXTEC

located in Madrid

Tel. +34 912 625 978

www.kinextec.com

VIETNAM

**TANG MINH PHAT TRADING
AND SERVICE CO., LTD-TMP VIETNAM**

Tel: +84.28.3512 1007

sales@tmpvietnam.com

www.tmpvietnam.com

UKRAINE

"ENTRADE ENGINEERING" LLC

Tel.: +38(044) 337 37 42

info@entrade.com.ua

www.entrade.com.ua

RUSSIAN FEDERATION

CREATIVE TECHNOLOGY NS LTD.

Tel.: +7 495 1812388 / +79685469871

office@creativetechnologys.ru

www.creativetechnologys.ru